



**IP66
IP67**
CERTIFIED

**IK07
IMPACT**
CERTIFIED

**DIRECT AC
DRIVERLESS**

**NEMA
4X**

**NEMA
6P**

**BAA
BABAA**
COMPLIANT

Proudly made
in America



LED System For Transit Temporary Lighting

Long Runs on Single Supply

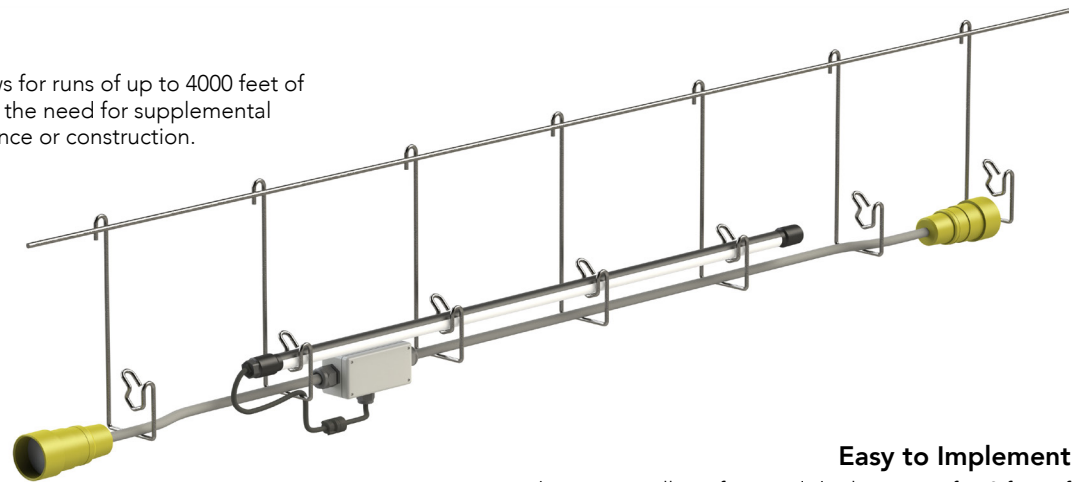
End-to-end connection of 150' segments allows for runs of up to 4000 feet of light on a single electrical supply. This reduces the need for supplemental power throughout the tunnel during maintenance or construction.

Low Smoke Zero Halogen Cabling

Low Smoke Zero Halogen (LSZH) NFPA 130 compliant cable jacketing is composed of thermoplastic compounds that emit limited smoke and no halogen when exposed to high sources of heat.

Maintenance Free

Fully sealed and driverless harsh environment LED fixtures are 100% maintenance free.



Easy to Implement

Each segment allows for rapid deployment of 150 feet of tunnel wall lighting with (10) 4' VPX fixtures spaced every 15'.

PERFORMANCE SUMMARY

Delivered Light Output: 5,000 Lumens per Fixture (VPX4)

Efficacy: Up to 120 LPW

CRI: Typical 85 CRI

CCT: 5000K & 4000K

Lifetime: 100,000 Hours at 25°C

Warranty: 5 Years

System Configuration: 10 Fixtures at 15' Spacing (150' Total Length)

Maximum System Run: Up to 4,000' on Single Electrical Supply

Dimensions: Length 4' x Diameter 1.0"

Lens: Diffused (standard)

Protection Class: IP65, IP66, IP67 Ingress & IK07 Impact

Temperature Rating: Operable in temperatures -40°C to 60°C

Voltage: 120, 277, or 347 VAC Input

Power Factor: 0.9 nominal

Surge Protection: Built-in 4KV

Total Harmonic Distortion: < 20%

FIXTURE SPECIFICATIONS

Construction & Materials

- Proudly engineered and manufactured in America:
 - Buy American Act (BAA) compliant
 - Build America, Buy America Act (BABAA) compliant
- Patented coextruded copolyester and aluminum housing
 - Seamless polymeric outer shell
 - Integrated aluminum heat spreader

Regulatory Qualifications

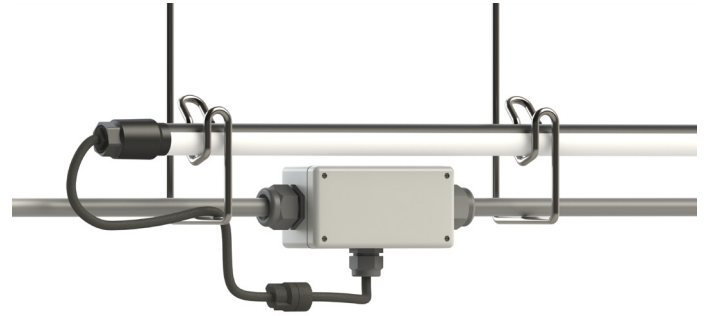
- cULus Listed
- UL Listed for Wet Locations
- IP66/IP67 Certified
- IK07 Impact Certified
- NEMA 4X, NEMA 6P Rated
- NFPA 130 & 502

REV: 1124

ORDERING INFORMATION

Product	Length	Configuration	Cabling	Voltage
TLS	150	10x15ft	10/5	120V 120 VAC Input 277V 277 VAC Input 347V 277 VAC Input

*Contact factory for alternate fixture spacing or wire gage options.

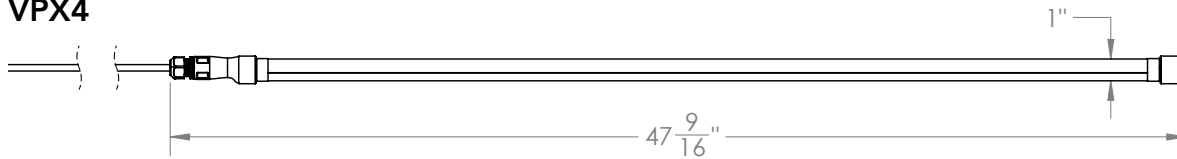


LUMEN & POWER DATA (PER FIXTURE)

Length & Output	Lumens	Wattage	Amps @ 120V	Amps @ 277V
VPX4	5000	42W	0.35	0.15

FIXTURE DIMENSIONS

VPX4



TRUNK CABLING CONFIGURATION

