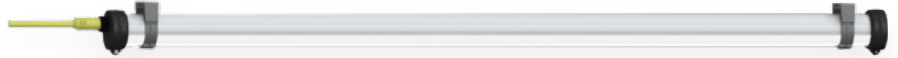




IP69K
CERTIFIED

IK10
IMPACT
CERTIFIED



RRX INSTALLATION MANUAL PAGE 1

WARNING

Fixtures must be installed by a qualified electrician in accordance with all national and local electrical and construction codes and regulations.

Please read through this document entirely before beginning the installation

Monthly functional and visual inspections are recommended to ensure safe operation.

Remove this fixture from service if water or corrosion is observed inside of the fixture. Water and chemicals can corrode metallic components and damage electrical circuits. Faulted electrical circuits can experience self-heating which, while unlikely, may present a fire hazard if left unchecked. This heating can also serve as an ignition source for gasses generated by the corrosion of metals inside of the enclosure.

RISK OF ELECTRIC SHOCK

Turn power off before inspection, installation, or removal

Electrical Requirements

- Suitable for wet locations.
- Follow all National Electric Codes (NEC) and local codes.

Customer Service

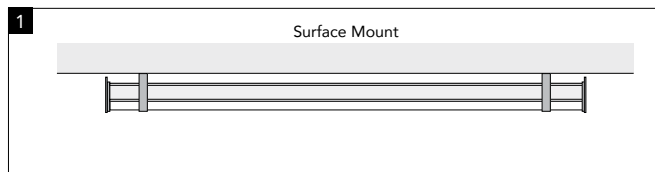
- For technical assistance please call 800-285-6780 x2 or email support@ggled.net

Supplied Materials

- 1 RRX series luminaire(s)
- 2 Leader cable(s) for connecting luminaire to AC power source
- 3 Optional surface mount bracket(s)

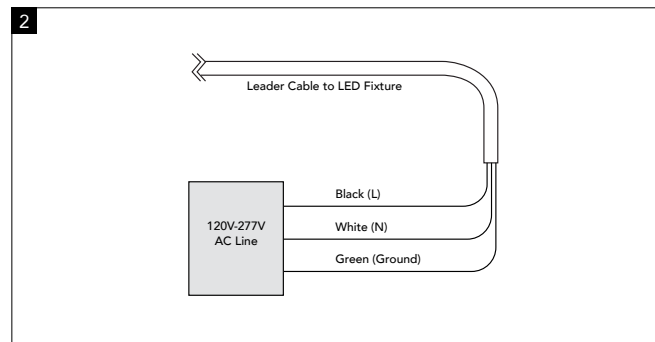
RRX INSTALLATION MANUAL PAGE 2

Installation



Mount the fixture(s) in the desired location using the surface mount bracket to affix directly to the ceiling/surface.

Electrical Connections



Connect the power leader cable to the appropriate electrical service as per the diagram. Black wire to supply (line), white wire to neutral and green wire to ground.

Lumen & Power Data

Length & Output	Lumens	Wattage	Amps @120V	Amps @277V
RRX4	5,000	41	0.35	0.15
RRX8	10,000	82	0.70	0.30